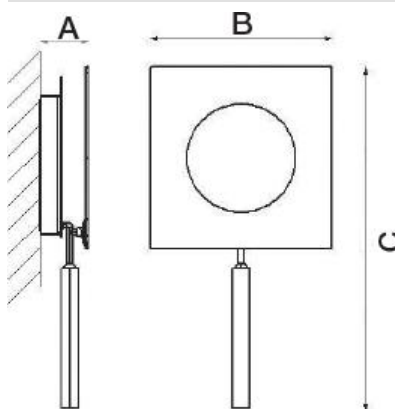


Dimensions



A cm	7
B cm	21
C cm	38

Description

Wall lamp of refined design.

Technical Data

Number of light sources	2
System power	15 W
Volt	220-240 V
Light flux	1901 lm / 2700 K
Energy class	E (F spot) / 2700 K
Light flux	1960 lm / 3000 K
Energy class	E (F spot) / 3000 K
	LED CRI90 Diffuser
LED	LED CRI90 Spot

Driver included. Dimmable Triac

Available Colors

